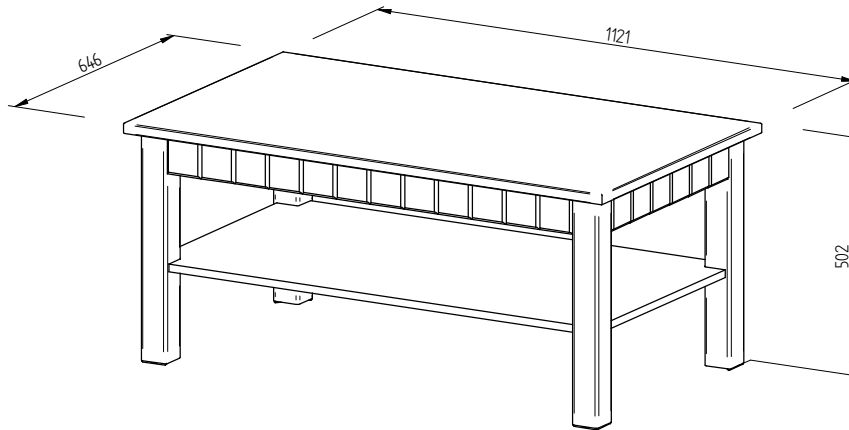
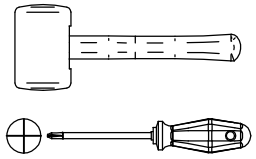
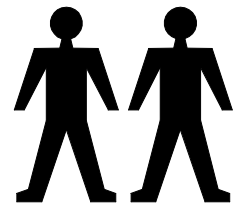
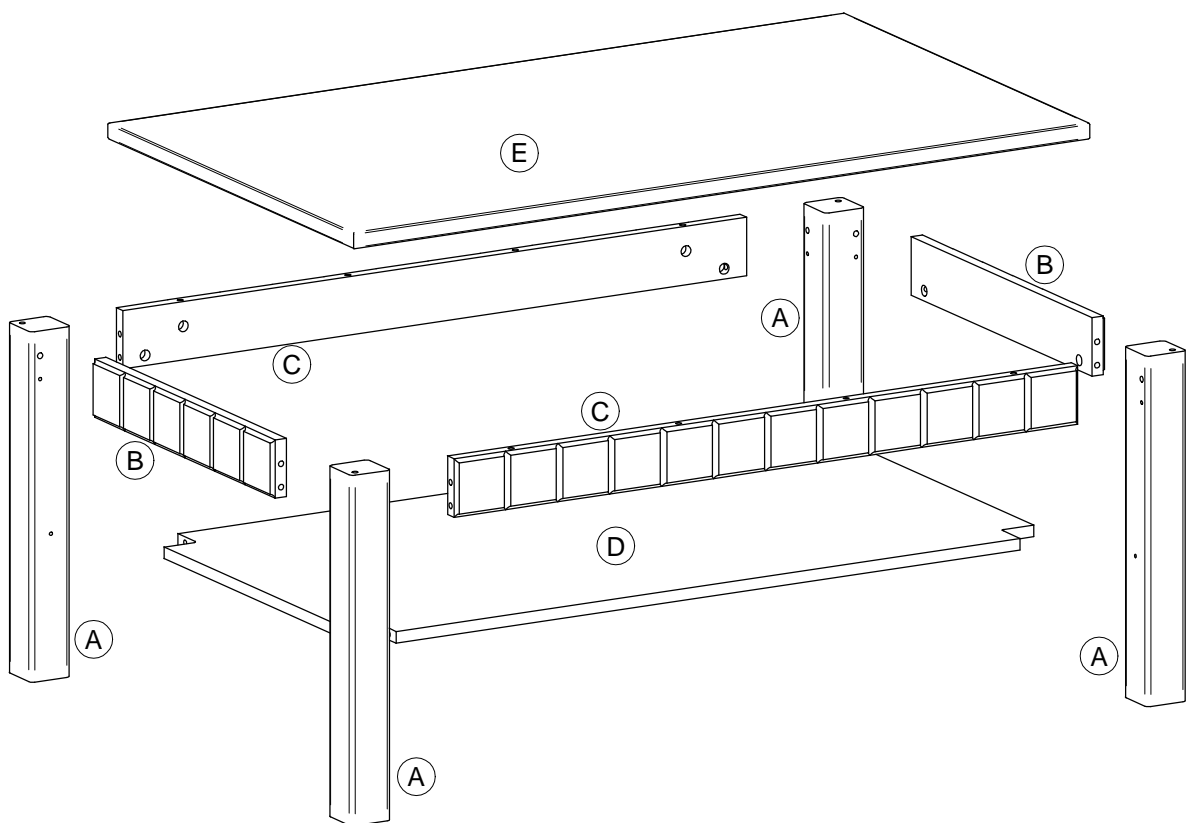


# TIROL

45

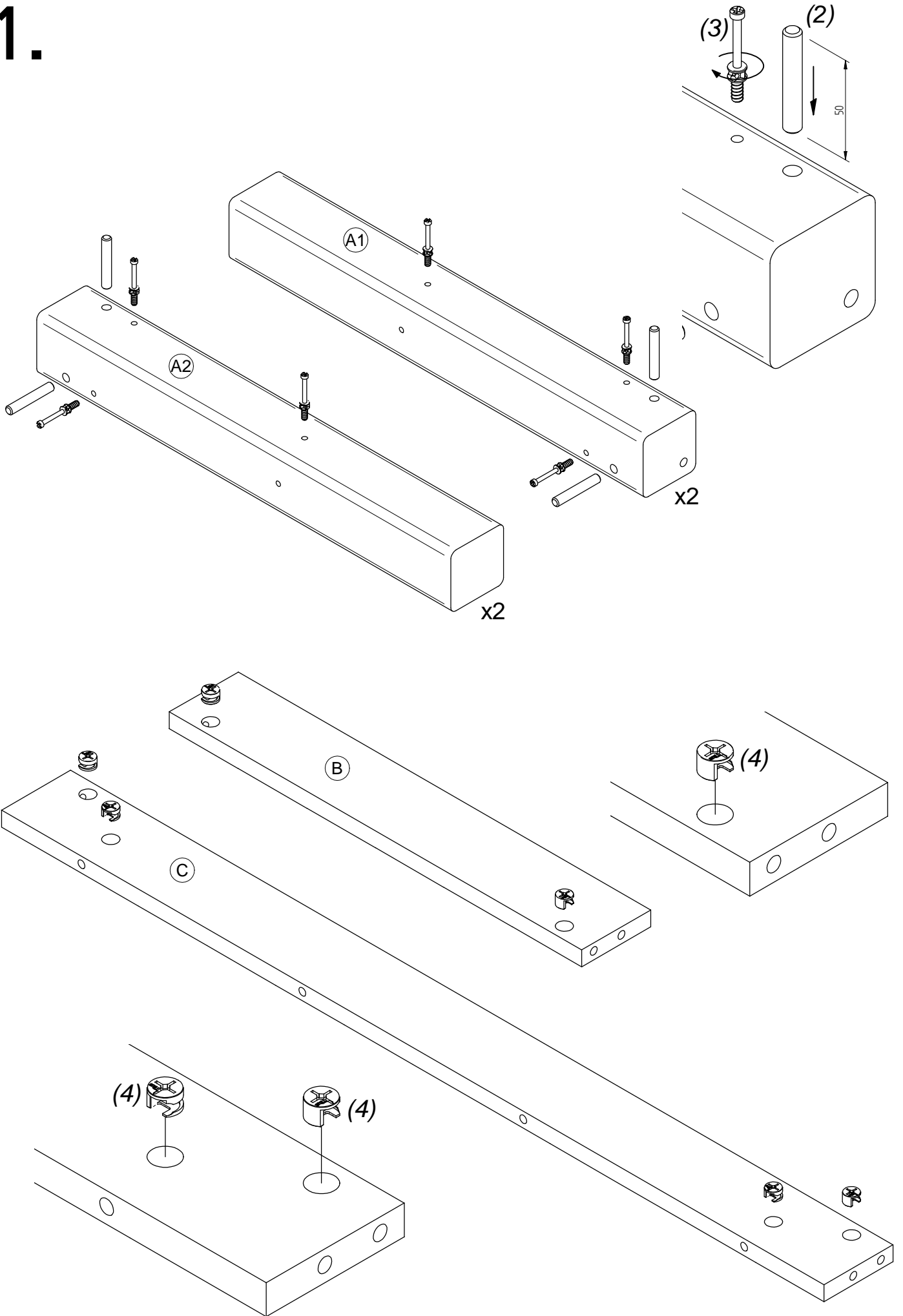


MN 163/03

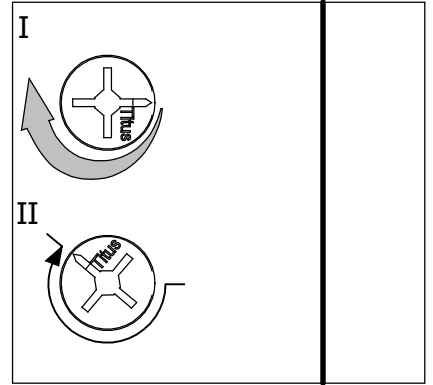
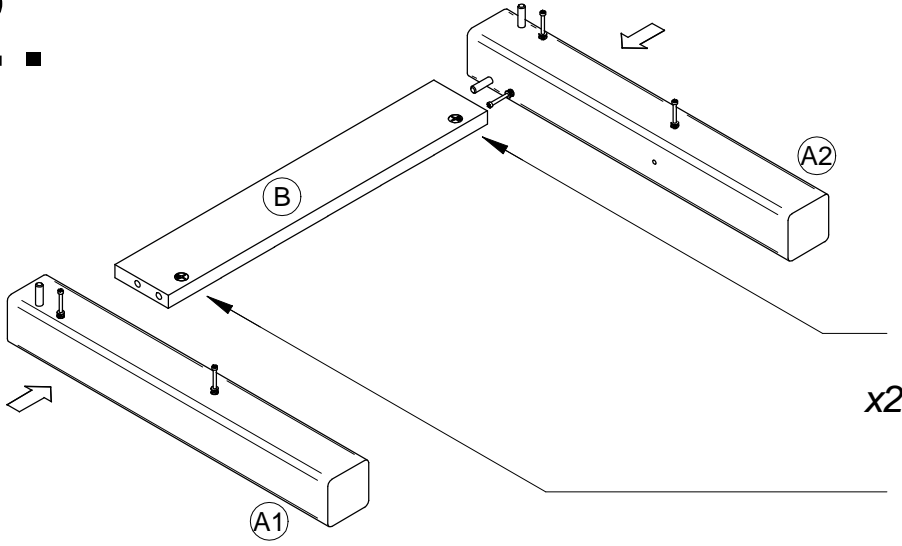


<b>1</b>	∅8x35 x8	<b>2</b>	∅8x50 x8	<b>3</b>	∅5 x16	<b>4</b>	∅15 x16	<b>5</b>	x4	<b>6</b>	∅1,2x20 x12

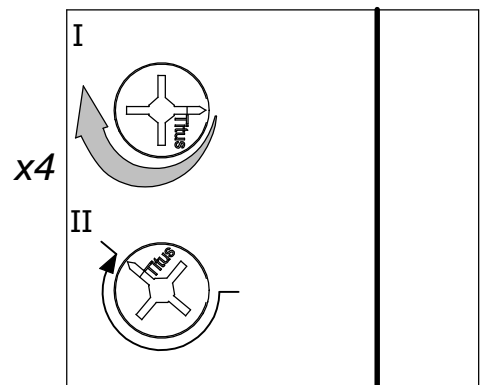
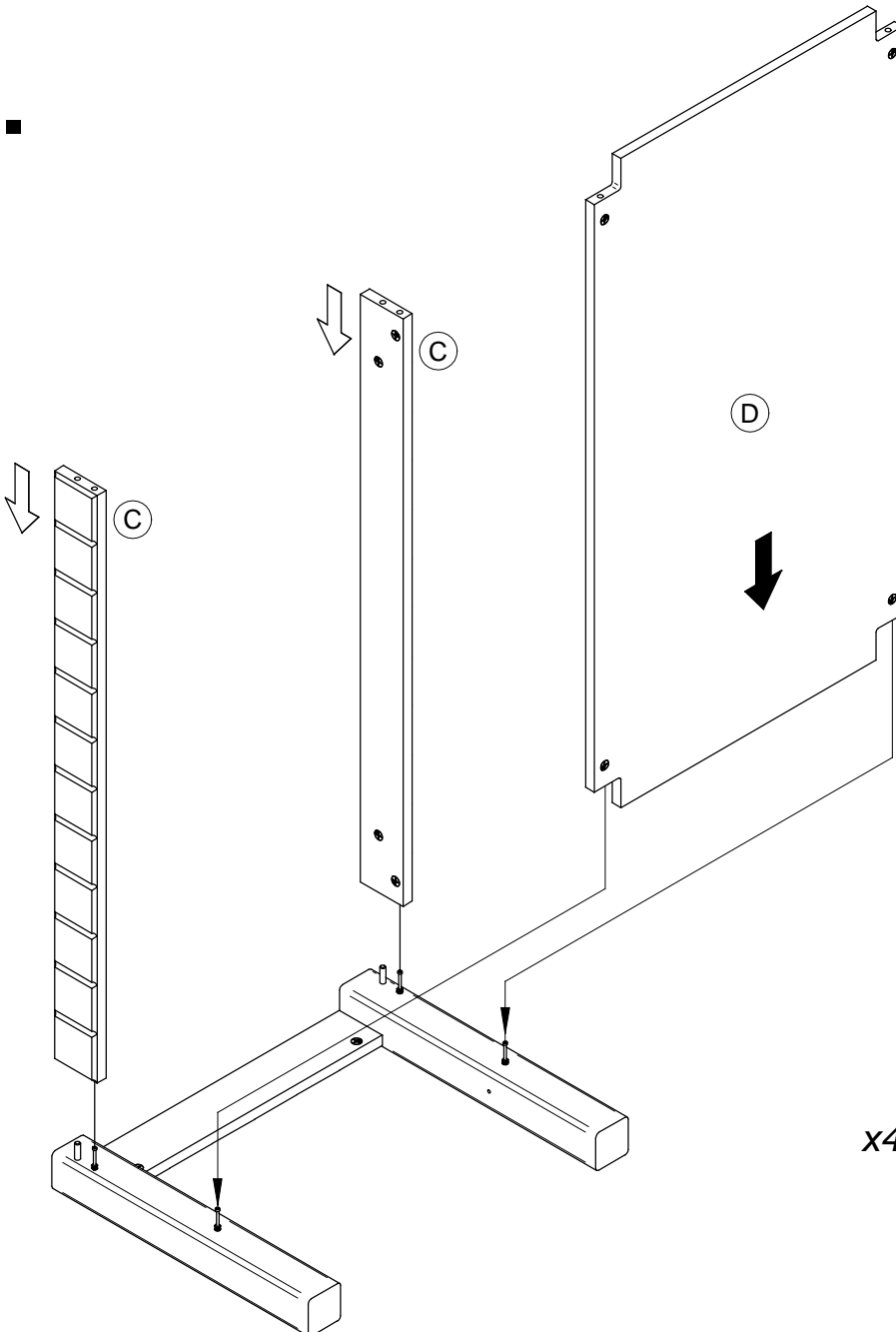
1.



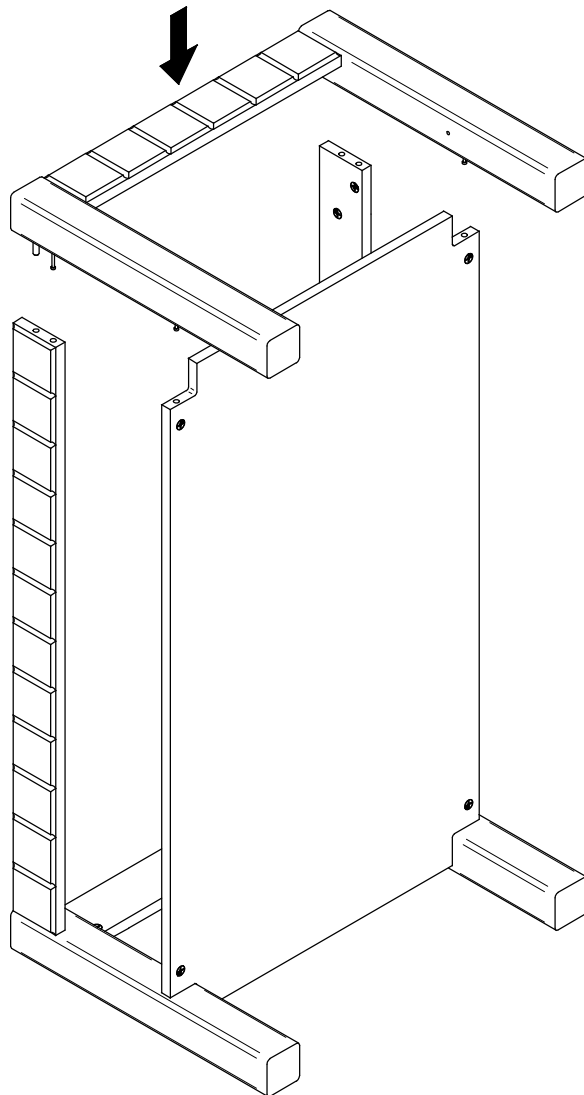
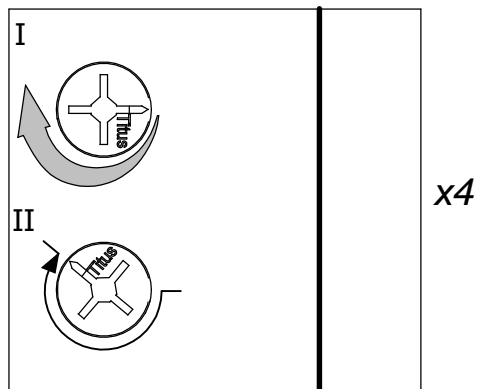
# 2.



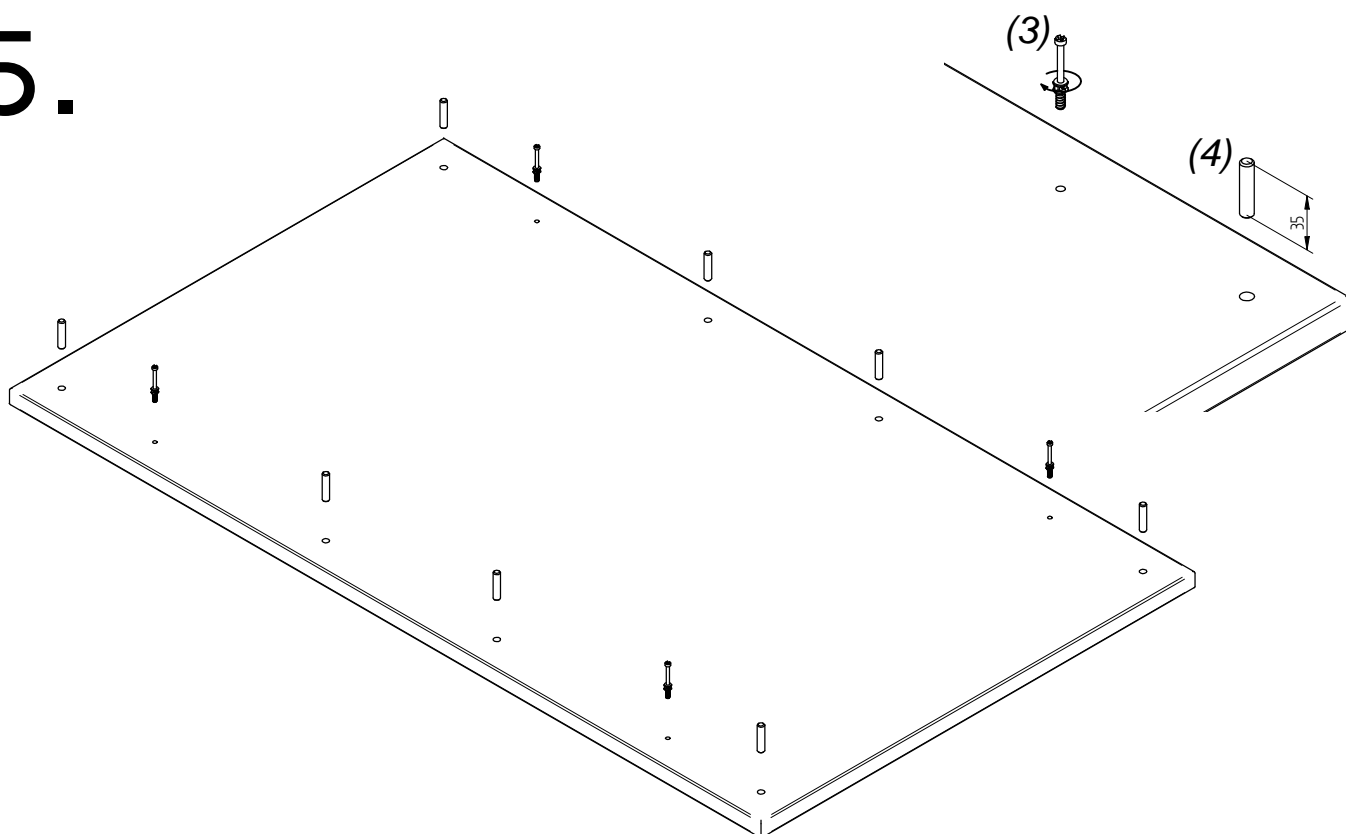
# 3.



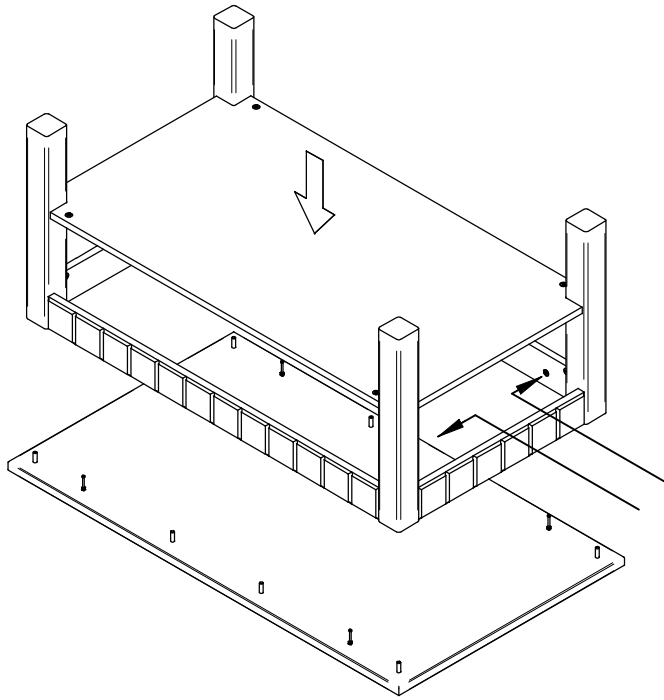
# 4.



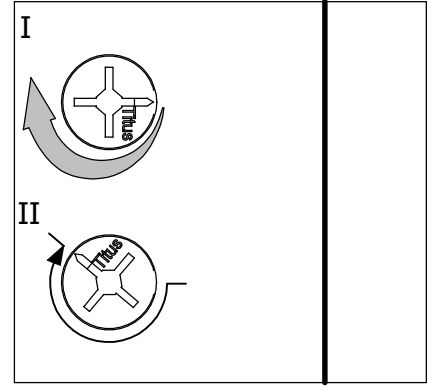
# 5.



6.



x4



7.

