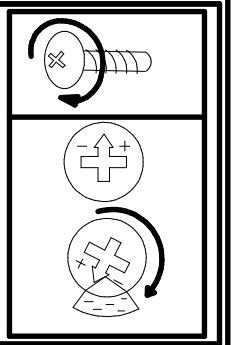
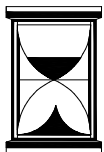
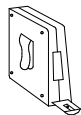
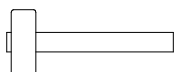
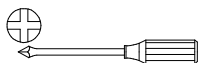
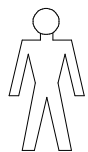


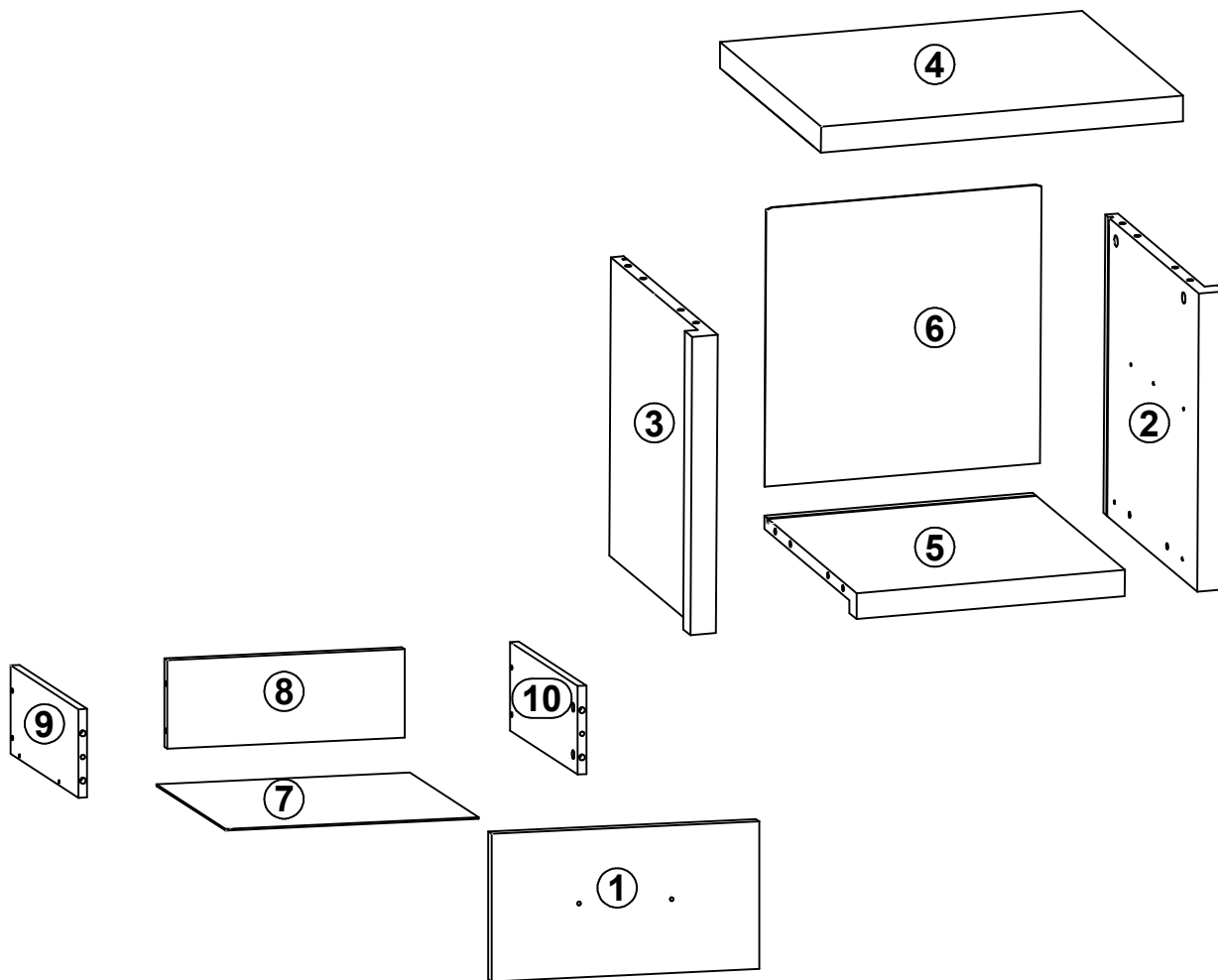
Mo	Tu	We	Th	Fr	Sa	Su
		1	2	3	4	5
6	7	8	9	10	11	12
13	14	15	16	17	18	19
20	21	22	23	24	25	26
27	28	29	30	31		

☺ ✓

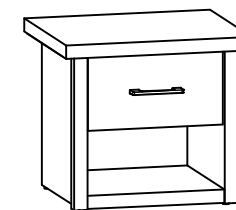




30 min

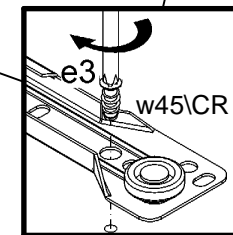
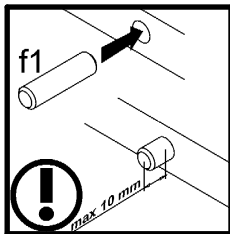
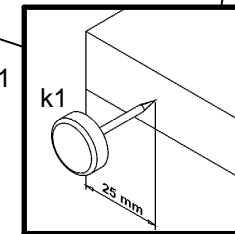
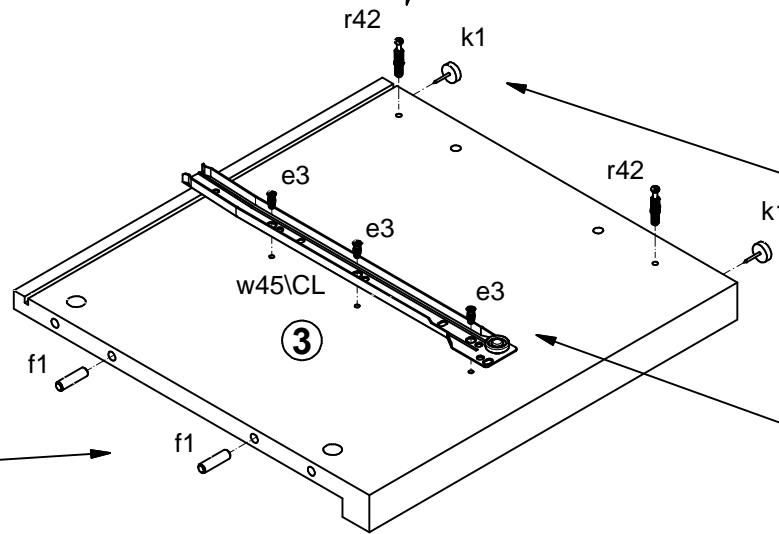
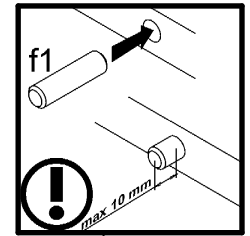
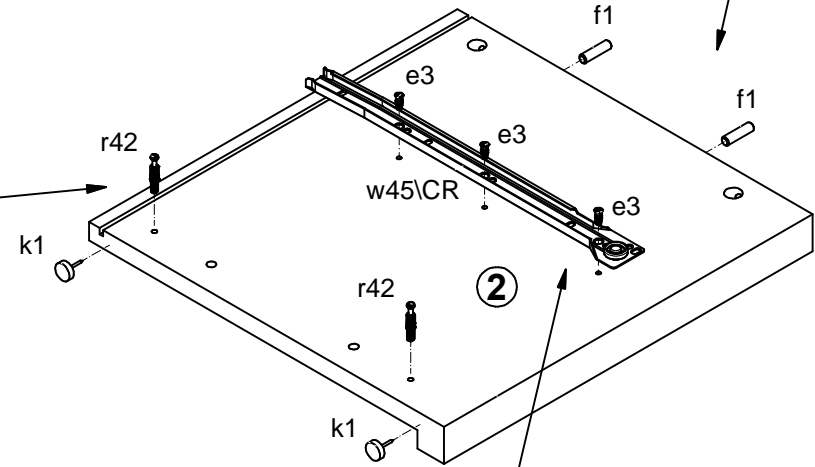
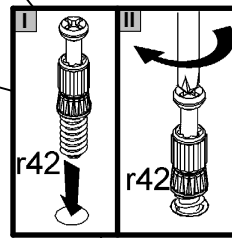
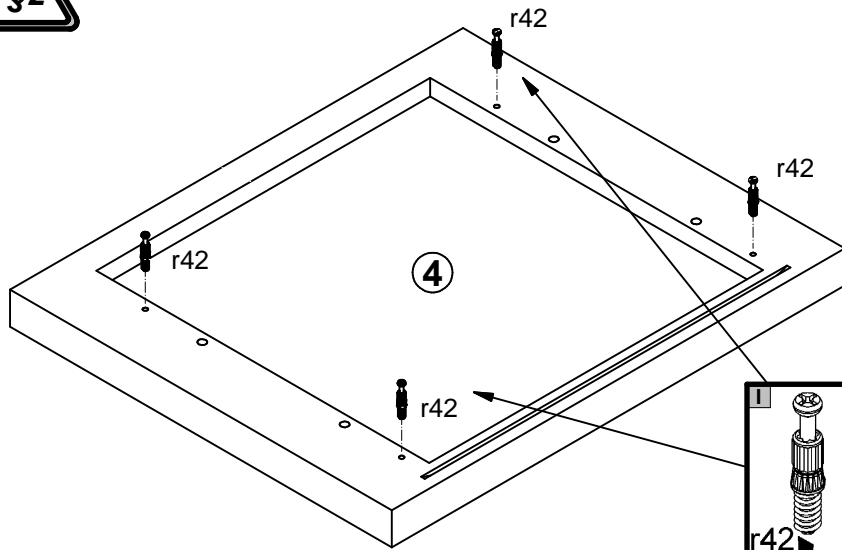


A	B	C (mm)		D
1	S328-001	370	200	1/1
2	S328-101	414	399	1/1
3	S328-102	414	399	1/1
4	S328-201	509	429	1/1
5	S328-301	377	392	1/1
6	S328-901	387	387	1/1
7	S328-902	350	355	1/1
8	ZS3-5637	328	120	1/1
9	ZS4-501	350	120	1/1
10	ZS4-502	350	120	1/1

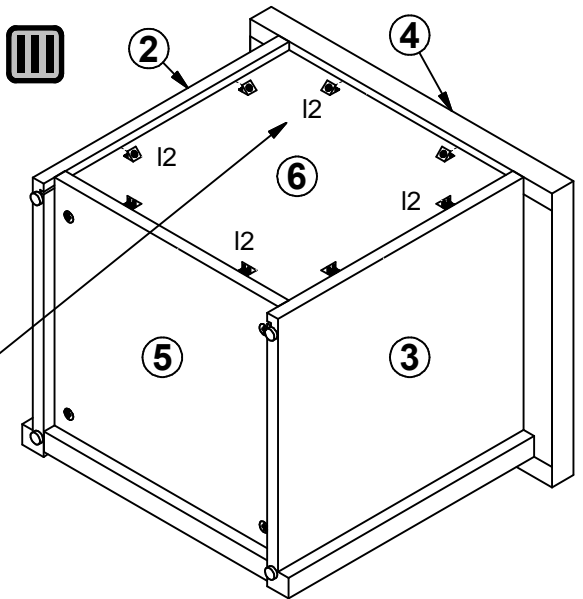
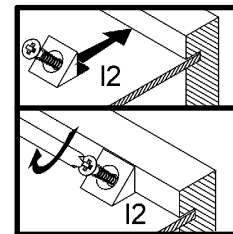
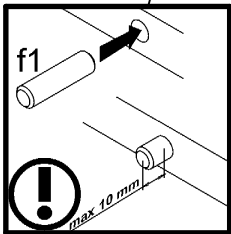
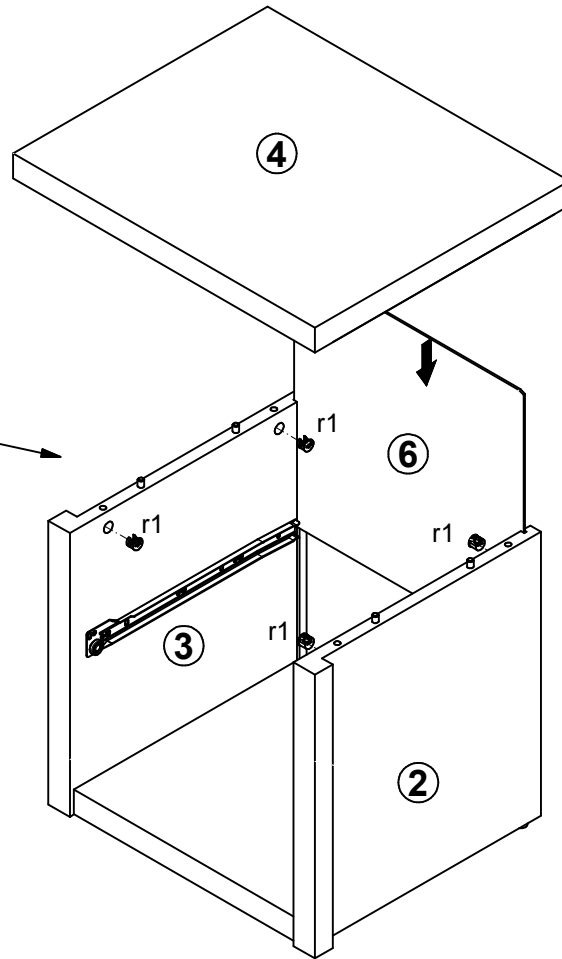
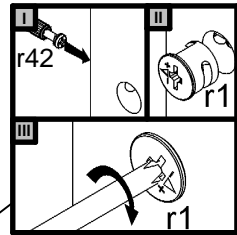
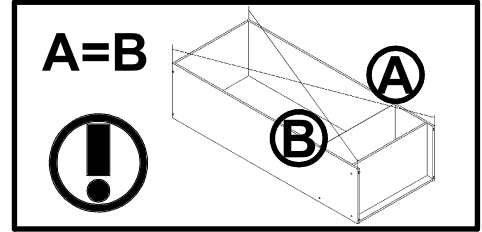


1x 128 mm c406	6x Ø6x13 mm e3	4x Ø5x9 mm e19	8x Ø8x30 mm f1	2x Ø6x30 mm f9	4x Ø6,5x40 mm f25	2x M4x25 mm j8	4x k1	8x l2	3x Ø3,5x16 mm p38	8x Ø15x12 mm #16 r1	4x Ø12x10,5 mm #12 r15	12x 20/11 r42
1x 350 mm w45\CL	1x 350 mm w45\CR	1x 350 mm w45\DL	1x 350 mm w45\DR	2x Ø16 s2								

1 

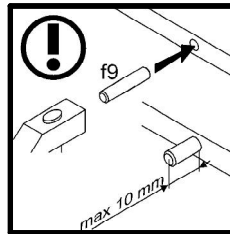
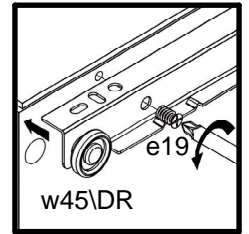
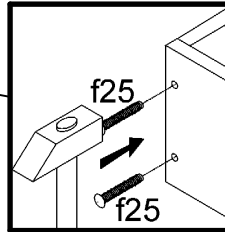
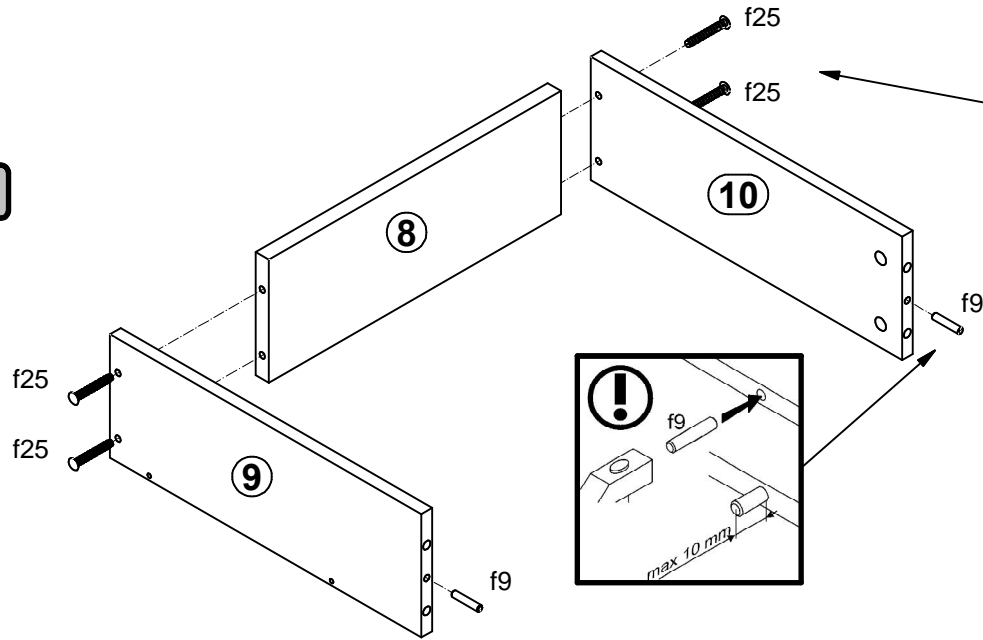


2 

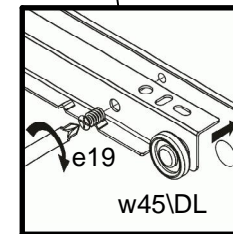
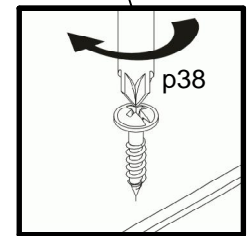
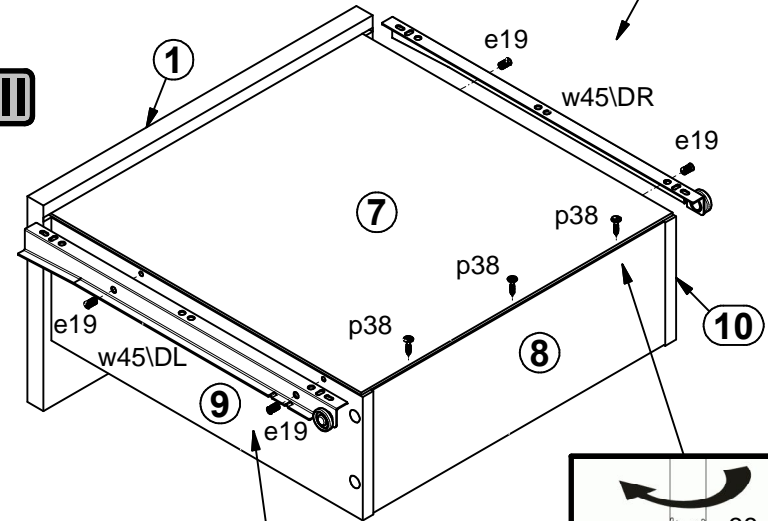


3

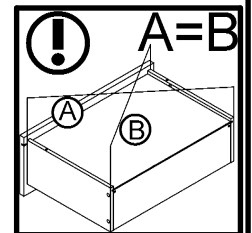
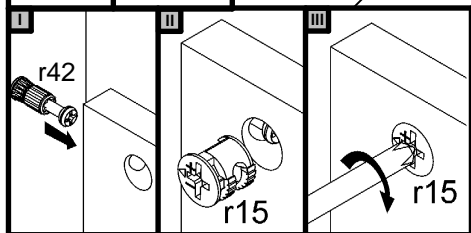
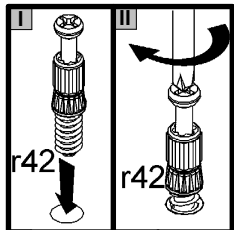
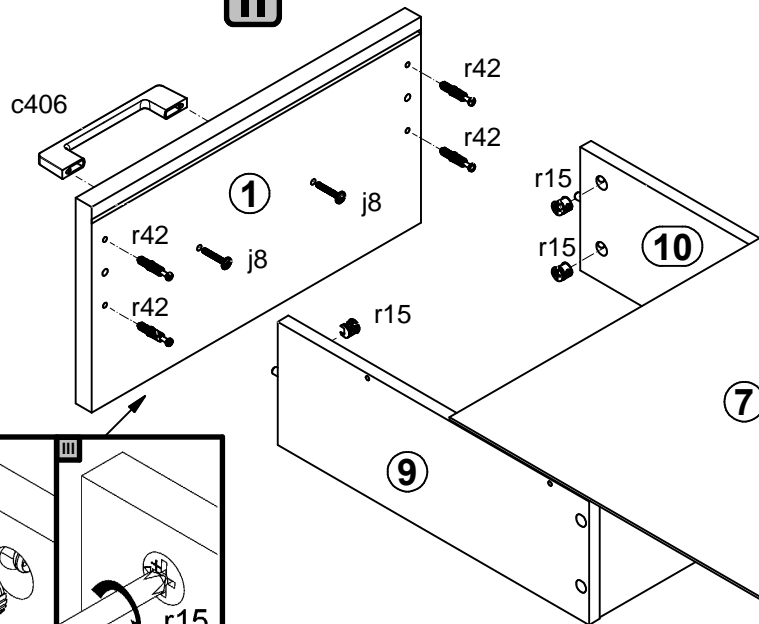
I



III



III



4

